

PAR925MJ4A-248-19S

Engineering Specification

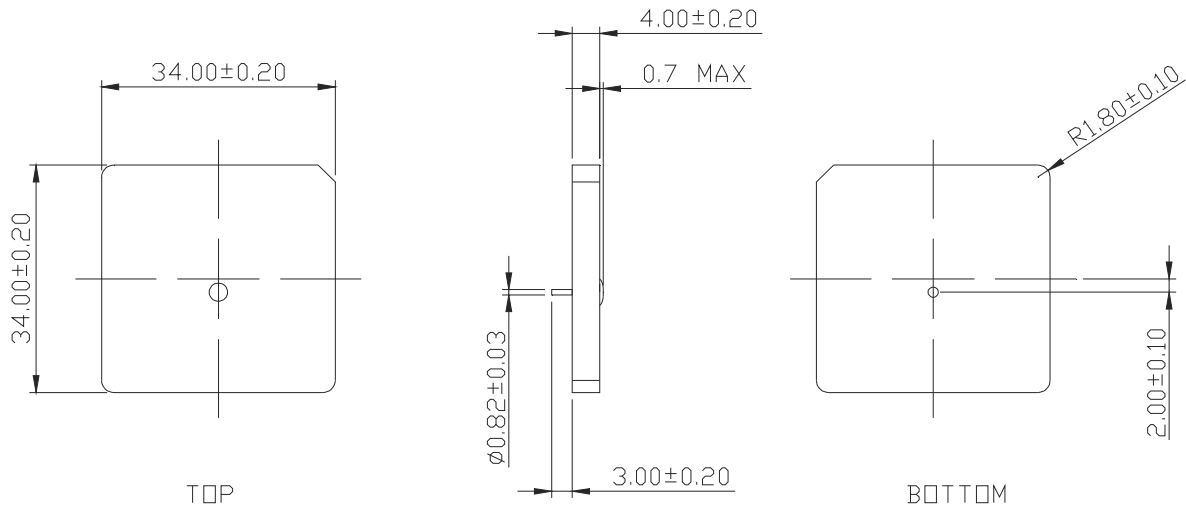
1. Typical Electrical Properties

Characteristics	Specification	Unit	Conditions
Patch Center Frequency	921.8± 2	MHz	By Test Ground Plane
S11	< -20	dB	By Test Ground Plane
Polarization	RHCP		
Frequency Temperature Coefficient	0±20	ppm/°C	-40°C to +85°C

PAR925MJ4A-248-19S, A: for MAC Product

-248 are the code of project number, -19S show of appendix

2. Dimension



注: 1. Smooth the PIN solder

2. Need to clean

3. The electric property correction method is MAC correction method
-trimming method

4. Packing: PKS000000830

3. Test Condition Ground Plane (MAC)

Same as PAR925MJ4A-119-29

UNLESS OTHER SPECIFIED TOLERANCES ON :
 $X = \pm 0.2$ $X.X = \pm 0.2$ $X.XX = \pm 0.2$
 ANGLES = ± 1 HOLEDIA = ± 0.2



INPAQ TECHNOLOGY CO., LTD.

SCALE : NA

UNIT : mm

DRAWN BY: JESSIE

CHECKED BY: PEET

DESIGNED BY : VIVIAN

APPROVED BY : STEVEN

THIS DRAWINGS AND SPECIFICATIONS ARE THE PROPERTY OF INPAQ TECHNOLOGY CO.,LTD.AND SHALL NOT BE REPRODUCED OR USED AS THE BASIS FOR THE MANUFACTURE OR SALE OF APPARATUS OR DEVICES WITHOUT PERMISSION

TITLE : PAR925MJ4A-248-19S

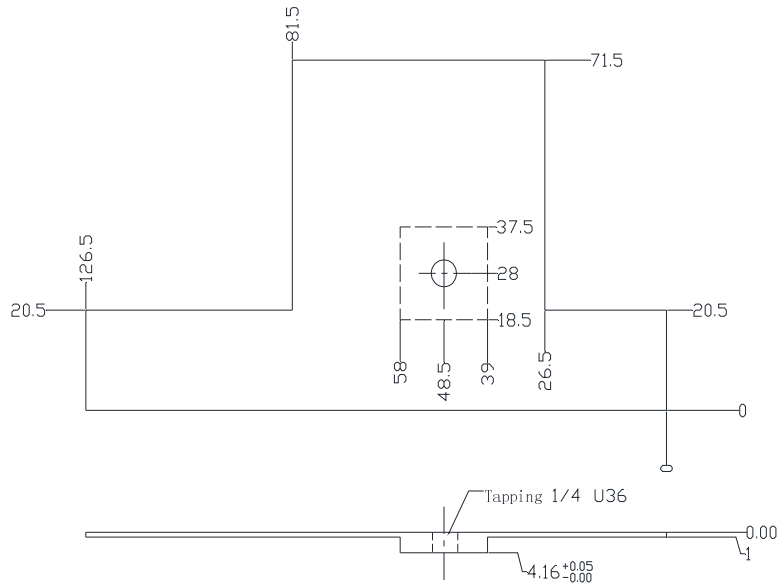
Engineering Specification

DOCUMENT NO.

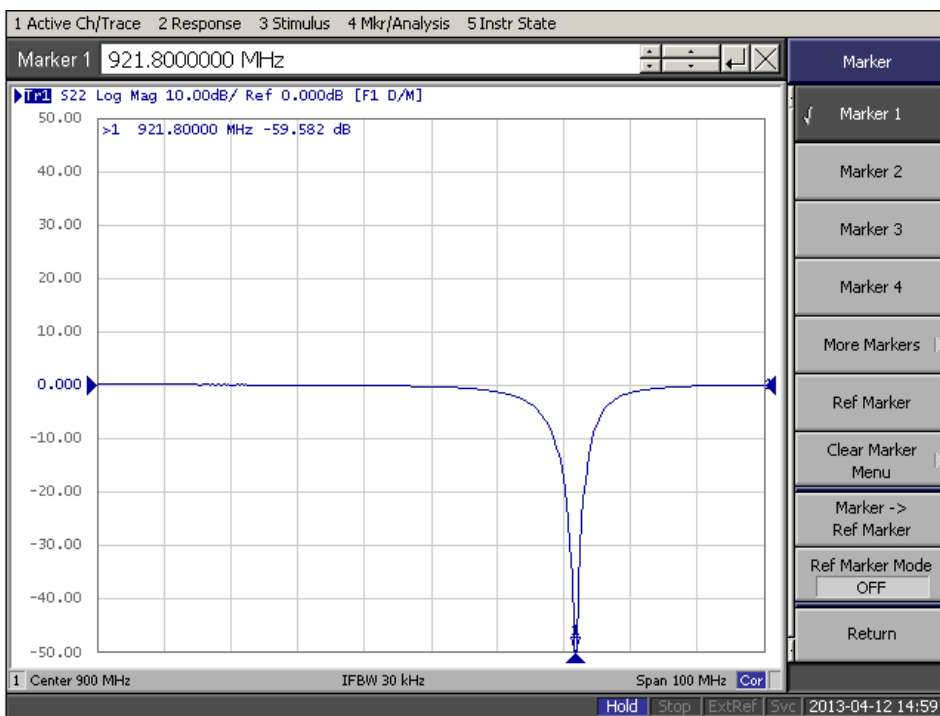
ENS000122430

PAGE REV.
A0


PAR925MJ4A-248-19S-V0
2019-01-22

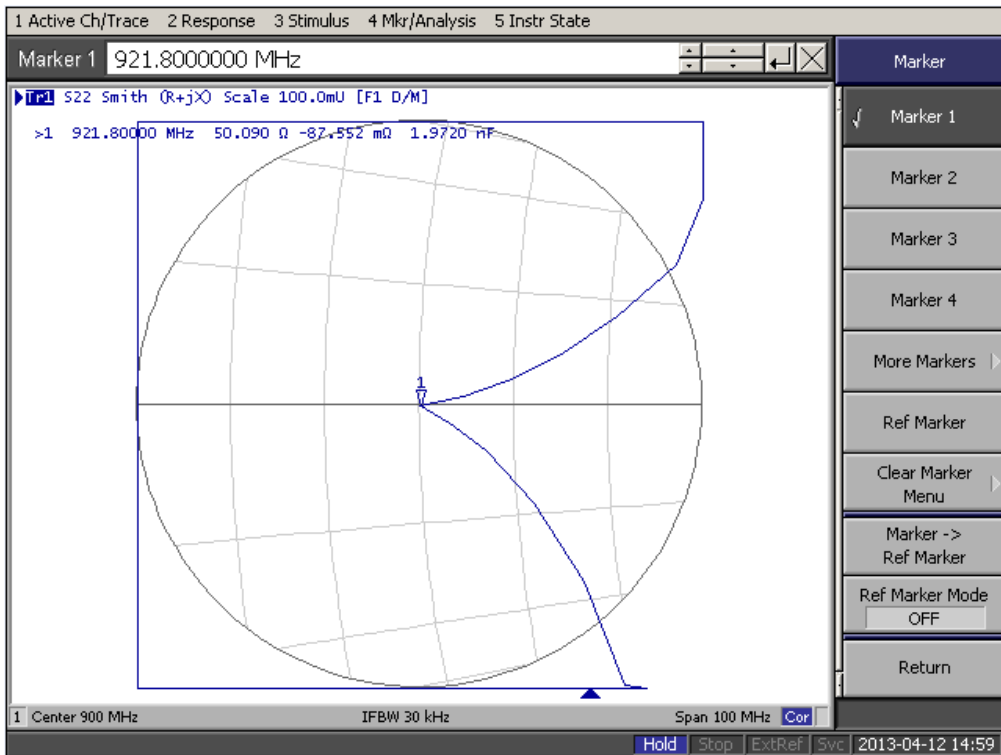
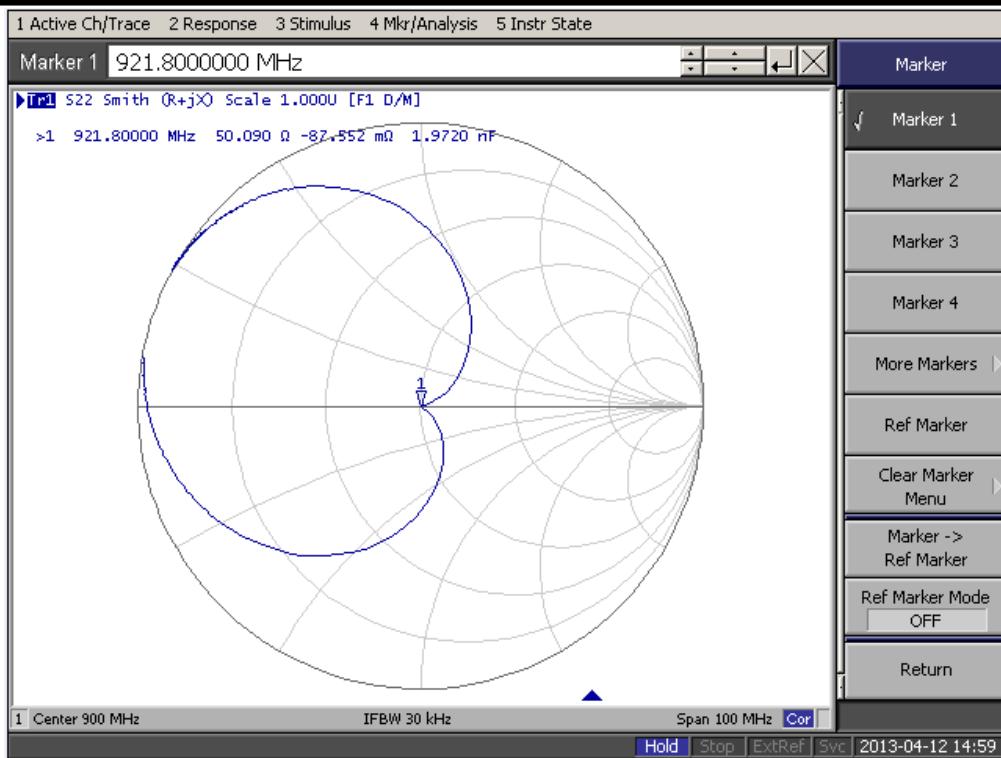


4. Return Loss Characteristics




5. Measured Input Impedance on a Smith Chart

UNLESS OTHER SPECIFIED TOLERANCES ON :			INPAQ TECHNOLOGY CO., LTD.	
X=± 0.2 X.X=± 0.2 X.XX=± 0.2				
ANGLES=± 1 HOLEDIA=±0.2		THIS DRAWINGS AND SPECIFICATIONS ARE THE PROPERTY OF INPAQ TECHNOLOGY CO.,LTD.AND SHALL NOT BE REPRODUCED OR USED AS THE BASIS FOR THE MANUFACTURE OR SALE OF APPARATUS OR DEVICES WITHOUT PERMISSION		
SCALE : NA	UNIT : mm			
DRAWN BY: JESSIE	CHECKED BY: PEET			
DESIGNED BY : VIVIAN	APPROVED BY : STEVEN			
TITLE : PAR925MJ4A-248-19S Engineering Specification		DOCUMENT NO.	ENS000122430	PAGE REV. A0



6. Explanation of Appendix

UNLESS OTHER SPECIFIED TOLERANCES ON :			INPAQ TECHNOLOGY CO., LTD.	
$X = \pm 0.2$	$X.X = \pm 0.2$			
ANGLES = ± 1		HOLEDIA = ± 0.2		
SCALE : NA	UNIT : mm	THIS DRAWINGS AND SPECIFICATIONS ARE THE PROPERTY OF INPAQ TECHNOLOGY CO.,LTD.AND SHALL NOT BE REPRODUCED OR USED AS THE BASIS FOR THE MANUFACTURE OR SALE OF APPARATUS OR DEVICES WITHOUT PERMISSION		
DRAWN BY: JESSIE	CHECKED BY: PEET			
DESIGNED BY : VIVIAN	APPROVED BY : STEVEN			
TITLE : PAR925MJ4A-248-19S Engineering Specification		DOCUMENT NO.	ENS000122430	PAGE REV. A0

PAR925MJ4A-248-1 9 S

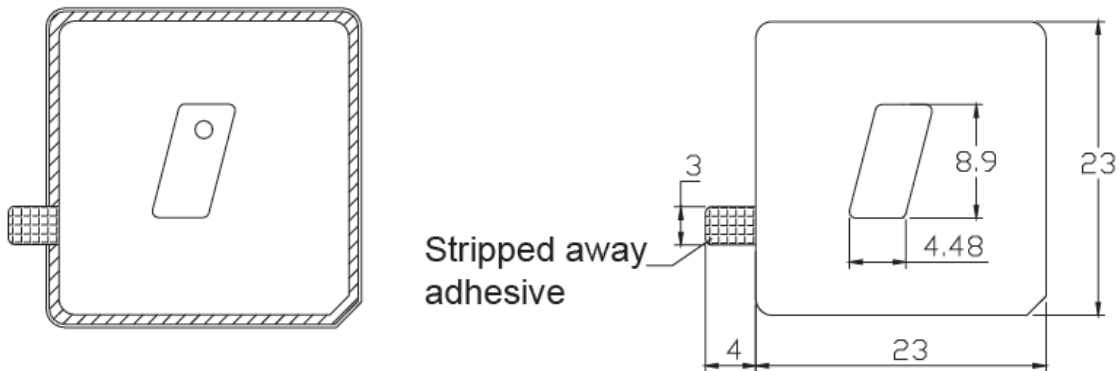
| | |
(1) (2) (3)

(1) 1=3.0mm pin Length

(2) Adhesive Tape 9 23×23mm

Adhesive Transfer Tape Specification

- 2.1 Thickness : 0.15 ± 2% mm Tesa 60980
- 2.2 Release Liner : 0.1mm (typ.) printed paper or paper
- 2.3 Dimension : mm



(3) Option appendix S Marking

Marking configuration

3.1 Customer request special marking RWiK



UNLESS OTHER SPECIFIED TOLERANCES ON :
 $X = \pm 0.2$ $X.X = \pm 0.2$ $X.XX = \pm 0.2$
 ANGLES = ± 1 HOLEDIA = ± 0.2



INPAQ TECHNOLOGY CO., LTD.

SCALE : NA	UNIT : mm
DRAWN BY: JESSIE	CHECKED BY: PEET
DESIGNED BY : VIVIAN	APPROVED BY : STEVEN

THIS DRAWINGS AND SPECIFICATIONS ARE THE PROPERTY OF INPAQ TECHNOLOGY CO.,LTD.AND SHALL NOT BE REPRODUCED OR USED AS THE BASIS FOR THE MANUFACTURE OR SALE OF APPARATUS OR DEVICES WITHOUT PERMISSION

TITLE : PAR925MJ4A-248-19S
Engineering Specification

DOCUMENT NO.

ENS000122430

PAGE	REV.
A0	A0