

# PAR915MJ6G-117-28

## Engineering Specification

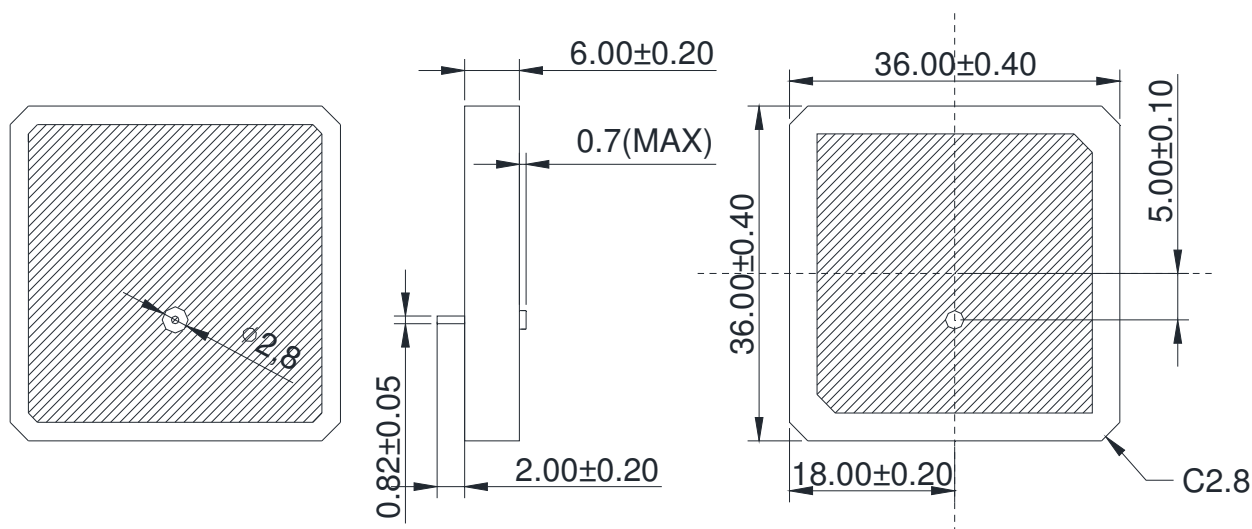
### 1. Typical Electrical Properties on INPAQ Test Ground :

Characteristics	Specification	Unit	Conditions
Center Frequency	912 ± 3	MHz	By Test Ground Plane
Polarization	Linear		By Test Housing
S11	< -20	dB	By Test Ground Plane
Frequency Temperature Coefficient	0±20	ppm/°C	-40°C to +85°C

PAR915MJ6G-117-28, G : Green parts (RoHS compliance)

-117 are the code of project number, -28 show of appendix

### 2. Dimension :



Unit : mm

UNLESS OTHER SPECIFIED TOLERANCES ON :

X=±      X.X=±      X.XX=±

ANGLES=±      HOLEDIA=±



INPAQ TECHNOLOGY CO., LTD.

SCALE :

UNIT : mm

DRAWN BY: 王瑞娟

CHECKED BY: 馬敏勝

DESIGNED BY: 楊鈞凱

APPROVED BY: 李守仁

THIS DRAWINGS AND SPECIFICATIONS ARE THE PROPERTY OF INPAQ TECHNOLOGY CO.,LTD.AND SHALL NOT BE REPRODUCED OR USED AS THE BASIS FOR THE MANUFACTURE OR SALE OF APPARATUS OR DEVICES WITHOUT PERMISSION

TITLE : PA1575MJ6G-117-28  
ENGINEERING SPECIFICATION

DOCUMENT  
NO.

ENS000098260

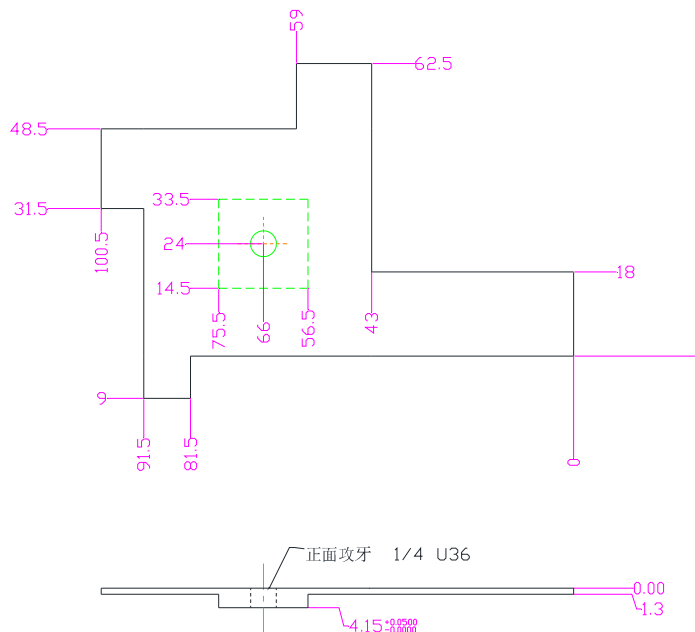
SPEC REV.  
A2

## 2-1 Test Condition Ground Plane :

PAR915MJ6G-117-18-V0

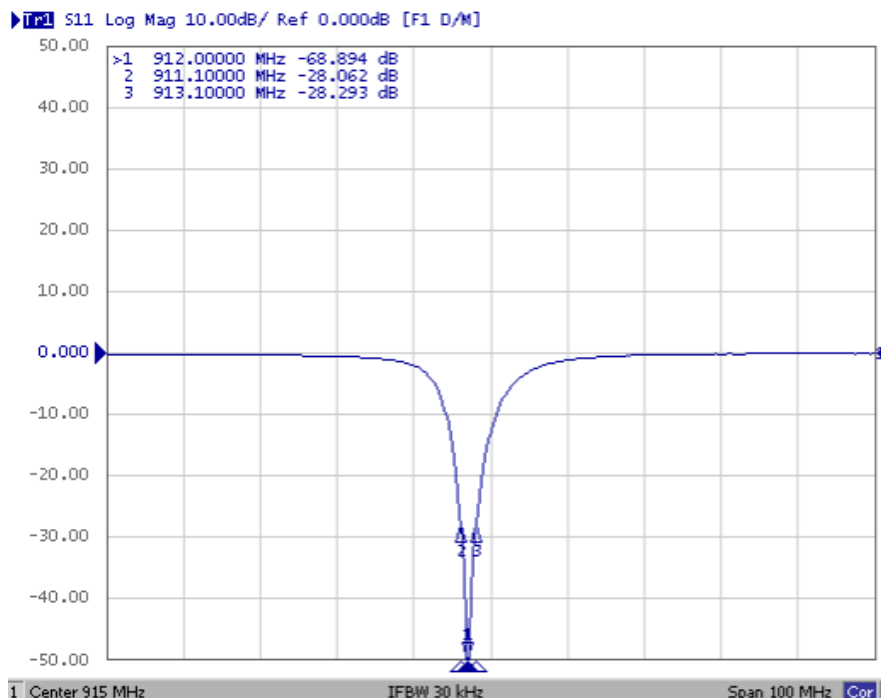
2014-4-30

正面俯視圖，  
虛線部分在下方



Unit : mm

## 2-2 Return Loss Characteristics :



UNLESS OTHER SPECIFIED TOLERANCES ON :

X=±      X.X=±      X.XX=±

ANGLES=±      HOLEDIA=±

SCALE :

UNIT : mm

DRAWN BY:王瑞娟

CHECKED BY:馬敏勝

DESIGNED BY:楊鈞凱

APPROVED BY:李守仁

TITLE : PA1575MJ6G-117-28  
ENGINEERING SPECIFICATION



INPAQ TECHNOLOGY CO., LTD.

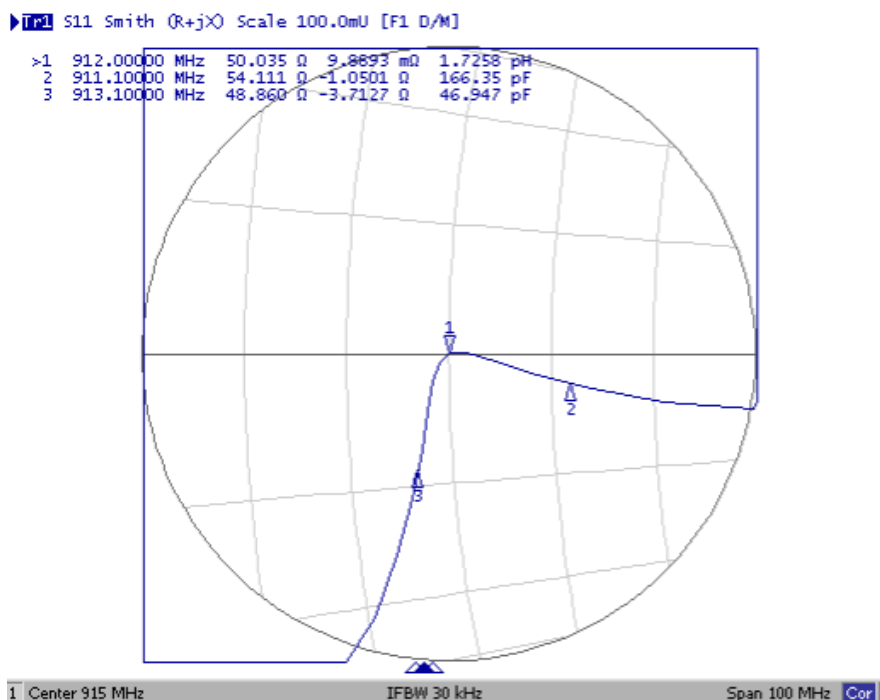
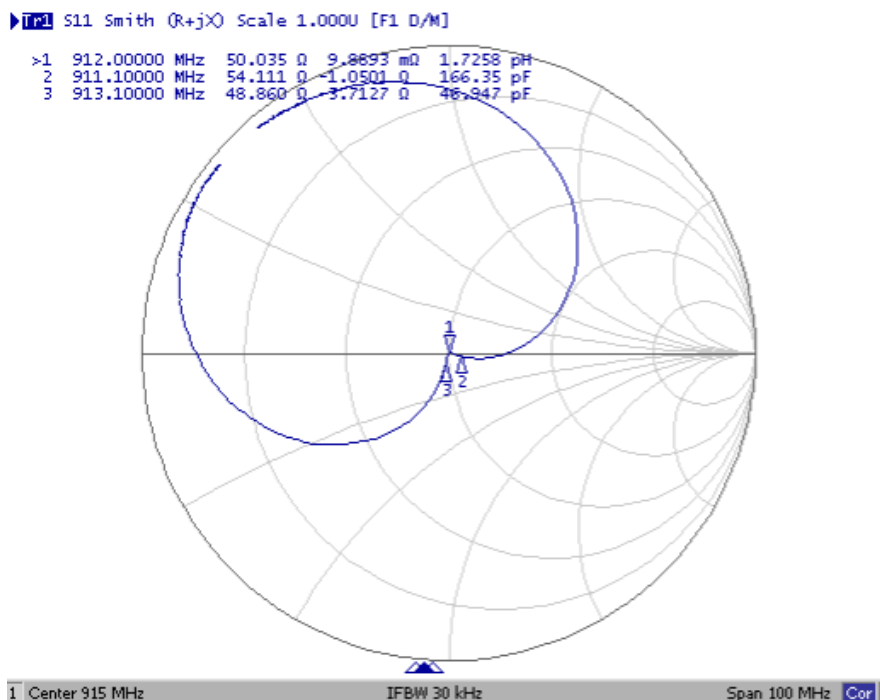
THIS DRAWINGS AND SPECIFICATIONS ARE THE PROPERTY OF INPAQ TECHNOLOGY CO.,LTD.AND SHALL NOT BE REPRODUCED OR USED AS THE BASIS FOR THE MANUFACTURE OR SALE OF APPARATUS OR DEVICES WITHOUT PERMISSION

DOCUMENT  
NO.

ENS000098260

SPEC REV.  
A2

## 2-3 Measured Input Impedance on a Smith Chart :



UNLESS OTHER SPECIFIED TOLERANCES ON :

X=±            X.X=±            X.XX=±

ANGLES=±            HOLEDIA=±

SCALE :            UNIT : mm

DRAWN BY:王瑞娟            CHECKED BY:馬敏勝

DESIGNED BY:楊鈞凱            APPROVED BY:李守仁

TITLE : PA1575MJ6G-117-28  
ENGINEERING SPECIFICATION



INPAQ TECHNOLOGY CO., LTD.

THIS DRAWINGS AND SPECIFICATIONS ARE THE PROPERTY OF INPAQ TECHNOLOGY CO.,LTD.AND SHALL NOT BE REPRODUCED OR USED AS THE BASIS FOR THE MANUFACTURE OR SALE OF APPARATUS OR DEVICES WITHOUT PERMISSION

DOCUMENT  
NO.

ENS000098260

SPEC REV.  
A2

2-4 Explanation of Appendix :

**PAR915MJ6G-117-28**  
(1)(2)

(1). Pin Length = 2 mm

(2). Adhesive Tape for Customer 8 22×22mm

Adhesive Transfer Tape Specification

2.1 TAPE : Nitto 5000NS 22x22x0.16mm

2.2 Thickness : 0.16mm

2.3 Release Liner : 0.1mm (typ.) printed paper or paper

2.4 Dimension : mm

UNLESS OTHER SPECIFIED TOLERANCES ON : X=±            X.X=±            X.XX=± ANGLES=±            HOLEDIA=±		 <b>INPAQ TECHNOLOGY CO., LTD.</b>	
SCALE :	UNIT : mm		
DRAWN BY:王瑞娟	CHECKED BY:馬敏勝	THIS DRAWINGS AND SPECIFICATIONS ARE THE PROPERTY OF INPAQ TECHNOLOGY CO.,LTD.AND SHALL NOT BE REPRODUCED OR USED AS THE BASIS FOR THE MANUFACTURE OR SALE OF APPARATUS OR DEVICES WITHOUT PERMISSION	
DESIGNED BY:楊鈞凱	APPROVED BY:李守仁		
TITLE : PA1575MJ6G-117-28 ENGINEERING SPECIFICATION		DOCUMENT NO. <b>ENS000098260</b>	SPEC REV. <b>A2</b>