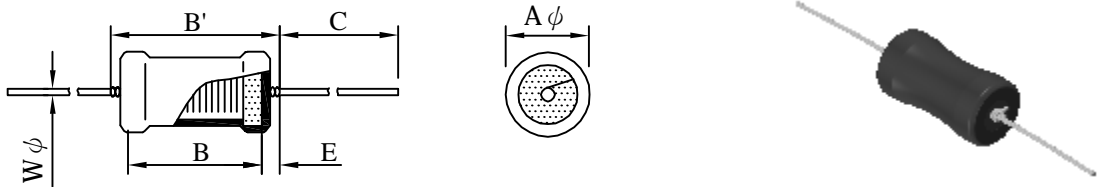


SPECIFICATION FOR APPROVAL

REF. :

PROD. NAME	Power Inductor	ABC'S DWG NO.	PA1226□□□□L□-□□□		
		REV.	20130613-B	PAGE	1

I . Configuration and dimensions :



Unit : m/m

A	B	B'	C	E	Wφ
12.0 max.	20.0±1.0	26.0 max.	25.0±5.0	3.0 max.	0.80±0.05

II . Description :

- a . Ferrite drum core construction.
- b . Enamelled copper wire : F class
- c . Product weight : 7.68g (ref.)
- d . Moisture sensitivity Level 1
- e . Products comply with RoHS' requirements
- f . Halogen free available

III . General specification :

- a . Storage temp. : -40°C ~ +125°C
- b . Operating temp. : -40°C ~ +125°C
(Temp. rise included.)

IV . Electrical characteristics :

DWG No.	Inductance (μH)	Test Freq. (Hz)	RDC (Ω) max.	IDC (A) max.
PA1226100KL□-□□□	10 ±10%	1K	0.030	5.00
PA1226250KL□-□□□	25 ±10%	1K	0.045	4.00
PA1226500KL□-□□□	50 ±10%	1K	0.080	3.00
PA1226101KL□-□□□	100 ±10%	1K	0.125	2.00
PA1226251KL□-□□□	250 ±10%	1K	0.300	1.20
PA1226501KL□-□□□	500 ±10%	1K	0.500	0.80
PA1226102KL□-□□□	1000 ±10%	1K	1.200	0.60

- 1). Electrical specifications at 25°C
- 2). IDC base on Temp. rise 45°C max. & ΔL/L0A=10% max.

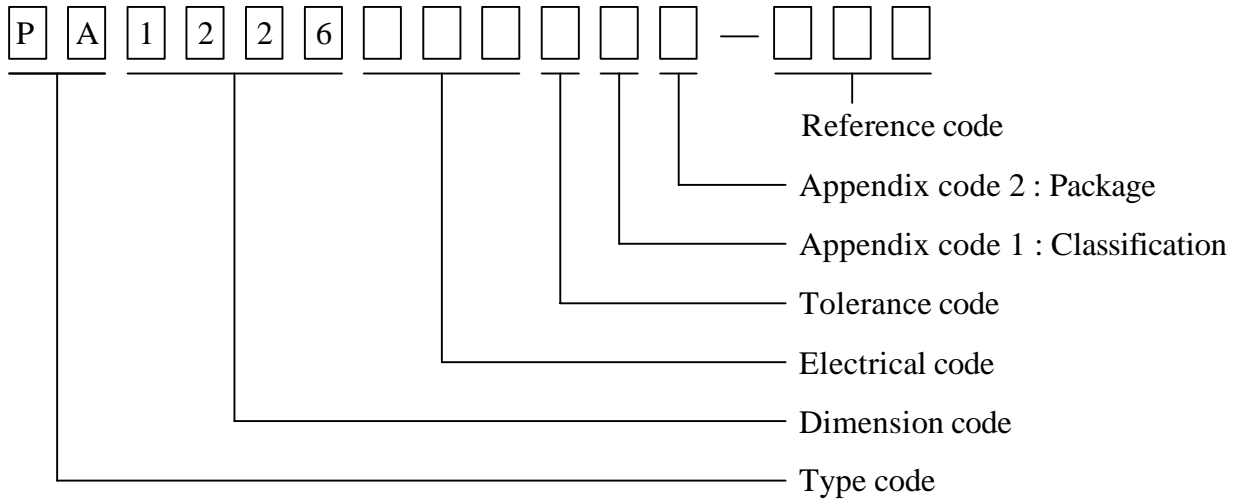
AR-001C

SPECIFICATION FOR APPROVAL

REF. :

PROD. NAME	Power Inductor	ABC'S DWG NO.	PA1226□□□□L□-□□□		
		REV.	20130613-B	PAGE	2

V . Dwging number expression :



Appendix code 1 : Product Classification

L : Lead Free Standard products comply with RoHS' requirements

Appendix code 2 : Package Information

Code	Inner package	Inner package Q'TY	Remark
A	Box	50 pcs	