

Product Name	Description	Version
LC23030-Vx	Dual-frequency multi-constellation GNSS mouse / 2m, USB	0.1
LC23032-Vx	Dual-frequency multi-constellation GNSS mouse / 2m, PS2	
LC23036-Vx	Dual-frequency multi-constellation GNSS mouse / 3m, RJ11	

Datasheet of GPS mouse, LC2303x-Vx series



1 Introduction

LC2303x-Vx series products are high-performance dual-band GNSS receivers (also known as GNSS mouse) that are capable of tracking all global civil navigation systems (GPS, GLONASS, BDS, GALILEO, QZSS and IRNSS). The GNSS mouse will acquire both L1 and L5 signals at a time while providing the better position accuracy. It can provide user with fast Time-To-First-Fix, superior sensitivity and low power consumption. Its far-reaching capability meets the sensitivity requirements of car navigation as well as other location-based applications.

2 Features

- Concurrent reception of L1 and L5 band signals
- Multi-Constellation GPS, GLONASS, Galileo, BeiDou, QZSS and IRNSS (NavIC)
- Support for SBAS ranging, WAAS, EGNOS, MSAS and GAGAN
- Fast TTFF at low signal level
- Free hybrid ephemeris prediction to achieve faster cold start
- Smart jammer detection and suppression
- Build-in micro battery to reserve system data for rapid satellite acquisition
- Brand New Design with improved visibility on signal LEDs
- LED indicator for GNSS fix or not

- Waterproof

3 Application

- Personal positioning and navigation
- Automotive navigation
- Marine navigation
- High-quality NTP time server

4 GNSS receiver

Frequency	LC23030-V2 LC23032-V2 LC23036-V2	GPS/QZSS: L1 C/A, L5C GLONASS: L1OF BEIDOU: B1I, B2a GALILEO: E1, E5a
	LC23030-V3 LC23032-V3 LC23036-V3	GPS/QZSS: L1 C/A GLONASS: L1OF BEIDOU: B1I GALILEO: E1 IRNSS L5
Channels	Support 135 channels	
Update rate	1Hz default, up to 10Hz	
Acquisition Time	Hot start (Open Sky)	2s (typical)
	Cold Start (Open Sky)	28s (typical) without AGPS
Position Accuracy	LC2303x-V2	Autonomous: 1.5m ⁽¹⁾ (CEP)
	LC2303x-V3	Autonomous: 2.5m ⁽¹⁾ (CEP)
Datum	WGS-84 (default)	
Max. Altitude	< 18,000 m	
Max. Velocity	< 500 m/s	
Protocol Support	NMEA 0183 ver. 4.1	115200 bps , 8 data bits, no parity, 1 stop bits (default) 1Hz: GGA, GLL, GSA, GSV, RMC, VTG, GST

Note 1: Depends on the satellite visibility, geometric distribution of satellites in the sky, and received signal quality and characteristics.

5 Software interface

5.1 NMEA output message

Table 5.1-1 NMEA output message

NMEA record	Description
GGA	Global positioning system fixed data
GLL	Geographic position - latitude/longitude
GSA	GNSS DOP and active satellites
GSV	GNSS satellites in view
RMC	Recommended minimum specific GNSS data
VTG	Course over ground and ground speed
GST	Estimated error in position solution

- **GGA--- Global Positioning System Fixed Data**

Table 5.1-2 contains the values for the following example:

\$GNGGA,091250.000,2503.71250,N,12138.74514,E,1,32,0.55,119.0,M,17.2,M,,*7E

Table 5.1-2 GGA Data Format

Name	Example	Units	Description
Message ID	\$GNGGA		GGA protocol header
UTC Time	091250.000		hhmmss.sss
Latitude	2503.71250		ddmm.mmmmm
N/S indicator	N		N=north or S=south
Longitude	12138.74514		dddmm.mmmmm
E/W Indicator	E		E=east or W=west
Position Fix Indicator	1		See Table 5.1-3
Satellites Used	32		Number of satellites in view
HDOP	0.55		Horizontal Dilution of Precision (meters)
MSL Altitude	119.0	meters	Antenna Altitude above/below mean-sea-level (geoid) (in meters)
Units	M	meters	Units of antenna altitude, meters
Geoidal Separation	17.2	meters	
Units	M	meters	Units of geoidal separation, meters
Age of diff. GNSS data		second	Null fields when DGPS is not used
Diff. Ref. Station ID			Differential reference station ID, 0000-1023
Checksum	*7E		Checksum
<CR> <LF>			End of message termination

Table 5.1-3 Position Fix Indicators

Value	Description
0	No position fix
1	Autonomous GNSS fix
2	Differential GNSS fix

● **GLL--- Geographic Position – Latitude/Longitude**

Table 5.1-4 contains the values for the following example:

\$GNGLL,2503.71193,N,12138.74582,E,094450.000,A,A*47

Table 5.1-4 GLL Data Format

Name	Example	Units	Description
Message ID	\$GNGLL		GLL protocol header
Latitude	2503.71193		ddmm.mmmmm
N/S indicator	N		N=north or S=south
Longitude	12138.74582		dddmm.mmmmm
E/W indicator	E		E=east or W=west
UTC Time	094450.000		hhmmss.sss
Status	A		A=data valid or V=data not valid
Mode	A		N = No position fix A = Autonomous GNSS fix D = Differential GNSS fix E = Estimated/Dead reckoning fix
Checksum	*47		
<CR> <LF>			End of message termination

● **GSA---GNSS DOP and Active Satellites**

Table 5.1-5 contains the values for the following example:

\$GNGSA,A,3,11,195,194,199,08,07,01,27,16,09,23,,1.19,0.64,1.00,1*3F

\$GNGSA,A,3,87,81,76,,,,,,,,,1.19,0.64,1.00,2*0F

\$GNGSA,A,3,,,,,,,,,,,,,1.19,0.64,1.00,3*09

\$GNGSA,A,3,34,24,12,07,11,10,08,38,25,09,13,16,1.19,0.64,1.00,4*02

Table 5.1-5 GSA Data Format

Name	Example	Units	Description
Message ID	\$GNGSA		GSA protocol header
Mode 1	A		See Table 5.1-6
Mode 2	3		See Table 5.1-7
ID of satellite used	11		SV on Channel 1

ID of satellite used	195		SV on Channel 2
....		
ID of satellite used			SV on Channel 12
PDOP	1.19		Position Dilution of Precision
HDOP	0.64		Horizontal Dilution of Precision
VDOP	1.00		Vertical Dilution of Precision
GNSS system ID	4		See Table 5.1-8
Checksum	*3F		
<CR> <LF>			End of message termination

Table 5.1-6 Mode 1

Value	Description
M	Manually set to operate in 2D or 3D mode
A	Automatically switching between 2D or 3D mode

Table 5.1-7 Mode 2

Value	Description
1	No position fix
2	2D fix
3	3D fix

Table 5.1-8 GNSS system ID

Value	Description
1	GPS
2	GLONASS
3	GALILEO
4	BEIDOU
6	IRNSS

● GSV---GNSS Satellites in View

Table 5.1-9 contains the values for the following example:

```
$GPGSV,3,1,09,8,71,268,47,27,63,18,49,11,44,191,46,4,41,237,46,1*54
$GPGSV,3,2,09,16,38,42,42,9,32,279,39,26,22,70,38,31,15,131,36,1*56
$GPGSV,3,3,09,7,15,320,40,1*6B
$GPGSV,1,1,04,8,71,268,50,27,63,18,49,9,32,279,43,26,22,70,42,8*6C
$GLGSV,2,1,05,82,63,47,47,83,56,182,36,80,47,9,42,79,33,85,45,1*71
$GLGSV,2,2,05,81,15,27,37,1*71
$GAGSV,1,1,04,08,48,300,43,03,47,025,45,13,36,309,42,05,06,061,34,7*79
$GAGSV,1,1,04,08,48,300,43,03,47,025,47,13,36,309,43,05,06,061,33,1*7B
$GBGSV,5,1,17,12,80,182,47,24,64,5,51,7,58,355,44,3,57,205,45,1*7C
```

\$GBGSV,5,2,17,1,54,141,44,34,52,211,49,9,48,230,45,10,47,316,42,1*79
 \$GBGSV,5,3,17,26,44,100,47,16,39,207,43,4,38,117,41,2,37,240,41,1*77
 \$GBGSV,5,4,17,39,37,210,43,6,36,198,41,38,27,173,41,25,18,317,42,1*4E
 \$GBGSV,5,5,17,35,16,39,40,1*7F
 \$GBGSV,1,1,02,24,64,5,50,26,44,100,43,4*77

Table 5.1-9 GSV Data Format

Name	Example	Units	Description
Message ID	\$GPGSV		GSV protocol header. GP=GPS/QZSS, GL=GLONSS, GA=GALILEO, GB=BEIDOU, GI=IRNSS.
Total number of messages	3		Range 1 to 9
Message number	1		Range 1 to 9
Satellites in view	09		
Satellite ID	8		Channel 1
Elevation	71	degrees	Channel 1 (Range 00 to 90)
Azimuth	268	degrees	Channel 1 (Range 000 to 359)
SNR (C/No)	47	dB-Hz	Channel 1 (Range 00 to 99, null when not tracking)
....		
Satellite ID	4		Channel 4 (Range 01 to 196)
Elevation	41	degrees	Channel 4 (Range 00 to 90)
Azimuth	237	degrees	Channel 4 (Range 000 to 359)
SNR (C/No)	46	dB-Hz	Channel 4 (Range 00 to 99, null when not tracking)
Signal ID	1		GPS/QZSS: L1 C/A=1, L5Q=8 GLONASS: L1 C/A=1 GALILEO: E1=7, E5a=1 BEIDOU: B1=1, B2a=4 IRNSS: L6=1
Checksum	*54		
<CR> <LF>			End of message termination

● **RMC---Recommended Minimum Specific GNSS Data**

Table 5.1-10 contains the values for the following example:

\$GNRMC,070143.000,A,2503.71317,N,12138.74533,E,0.002,70.50,130220,,A,V*01

Table 5.1-10 RMC Data Format

Name	Example	Units	Description
Message ID	\$GNRMC		RMC protocol header
UTC Time	070143.000		hhmmss.sss

Status	A		A=data valid or V=data not valid
Latitude	2503.71317		ddmm.mmmmm
N/S Indicator	N		N=north or S=south
Longitude	12138.74533		dddmm.mmmmm
E/W Indicator	E		E=east or W=west
Speed over ground	0.002	knots	True
Course over ground	70.50	degrees	
Date	130220		ddmmyy
Magnetic variation		degrees	
Variation sense			E=east or W=west
Mode	A		N = No position fix A = Autonomous GNSS fix D = Differential GNSS fix E = Estimated/Dead reckoning fix
Navigational status indicator	V		S = Safe C = Caution U = Unsafe V = Void
Checksum	*01		
<CR> <LF>			End of message termination

● **VTG---Course Over Ground and Ground Speed**

Table 5.1-11 contains the values for the following example:

\$GNVTG,0.00,T,,M,0.003,N,0.006,K,A*26

Table 5.1-11 VTG Data Format

Name	Example	Units	Description
Message ID	\$GPVTG		VTG protocol header
Course over ground	0.00	degrees	Measured heading
Reference	T		True
Course over ground		degrees	Measured heading
Reference	M		Magnetic
Speed over ground	0.003	knots	Measured speed
Units	N		Knots
Speed over ground	0.006	km/hr	Measured speed
Units	K		Kilometer per hour
Mode	A		N = No position fix A = Autonomous GNSS fix

			D = Differential GNSS fix E = Estimated/Dead reckoning fix
Checksum	*26		
<CR> <LF>			End of message termination

● **GST---Estimated error in position solution**

Table 5.1-12 contains the values for the following example:

\$GNGST,075707.000,2.9,1.8,1.5,113.3,1.6,1.8,5.9*7F

Table 5.1-12 GST Data Format

Name	Example	Units	Description
Message ID	\$GNGST		GST protocol header
UTC Time	075707.000		hhmmss.sss
RangeRMS	2.9	meters	RMS value of the standard deviation of the ranges
stdMajor	1.8	meters	Standard deviation of semi-major axis of error ellipse
stdMinor	1.5	meters	Standard deviation of semi-minor axis of error ellipse
Orient	113.3	degrees	Orientation of semi-major axis of error ellipse
stdLat	1.6	meters	Standard deviation of latitude error
stdLong	1.8	meters	Standard deviation of longitude error
stdAlt	5.9	meters	Standard deviation of altitude error
Checksum	*7F		
<CR> <LF>			End of message termination

5.2 Proprietary command

The commonly used commands are in the following.

5.2.1 ID: 004

[Description]

Hot Start. Use the available data in the NVRAM.

[Data Field]

\$PAIR004*CS<CR><LF>

[Return]

PAIR_ACK for send result.

[Example]

Send:

\$PAIR004*3E\r\n

Response:

\$PAIR001,004,0*3F\r\n ==> Success

5.2.2 ID: 005

[Description]

Warm Start. Not using Ephemeris data at the start.

[Data Field]

\$PAIR005*CS<CR><LF>

[Return]

PAIR_ACK for send result.

[Example]

Send:

\$PAIR005*3F\r\n

Response:

\$PAIR001,005,0*3E\r\n ==> Success

5.2.3 ID: 006

[Description]

Cold Start. Not using the Position, Almanac and Ephemeris data at the start.

[Data Field]

\$PAIR006*CS<CR><LF>

[Return]

PAIR_ACK for send result.

[Example]

Send:

```
$PAIR006*3C\r\n
```

Response:

```
$PAIR001,006,0*3D\r\n ==> Success
```

6 LED indicator



LED	Color	Descriptions
1	Green	TX Indicator
2	Red	Power Indicator
3	Blue	PPS Indicator*

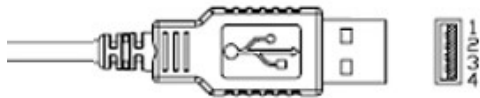
Note : When GNSS get a 3D fixed.

7 Pin assignment and descriptions



- **LC23030-Vx**

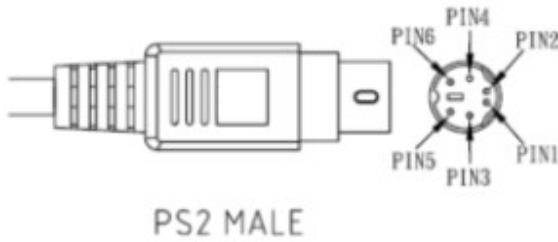
Pin #	Name	Type	Description
1	VBUS	P	+5V
2	D-		Data -
3	D+		Data +
4	GND	P	Ground



- 1 VBUS
- 2 D-
- 3 D+
- 4 GND

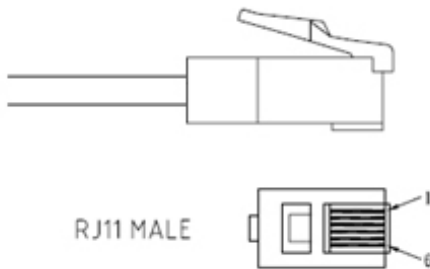
- **LC23032-Vx**

Pin #	Name	Type	Description
1	GND	P	Ground
2	VDD	P	Power input
3	NC		Not connect
4	RX	I	Data output (RS232 level)
5	TX	O	Data input (RS232 level)
6	NC		Not connect



● **LC23036-Vx**

Pin #	Name	Type	Description
1	NC		Not connect
2	GND	P	Ground
3	RX	I	Data input (RS232 level)
4	TX	O	Data output (RS232 level)
5	VDD	P	Power input
6	NC		Not connect



8 DC & Temperature characteristics

8.1 DC Electrical characteristics

Parameter	Symbol	Product	Min.	Typ.	Max.	Units
Input voltage	VCC	LC23030-Vx	4.75	5.0	5.25	V
		LC23032-Vx	4.75	5.0	5.25	
		LC23036-Vx	4.75	5.0	5.25	
Input current ⁽¹⁾	Icc	LC23030-V2		73		mA
		LC23032-V2		67		
		LC23036-V2		67		
	LC23030-V3		54		mA	
	LC23032-V3		43			
	LC23036-V3		43			

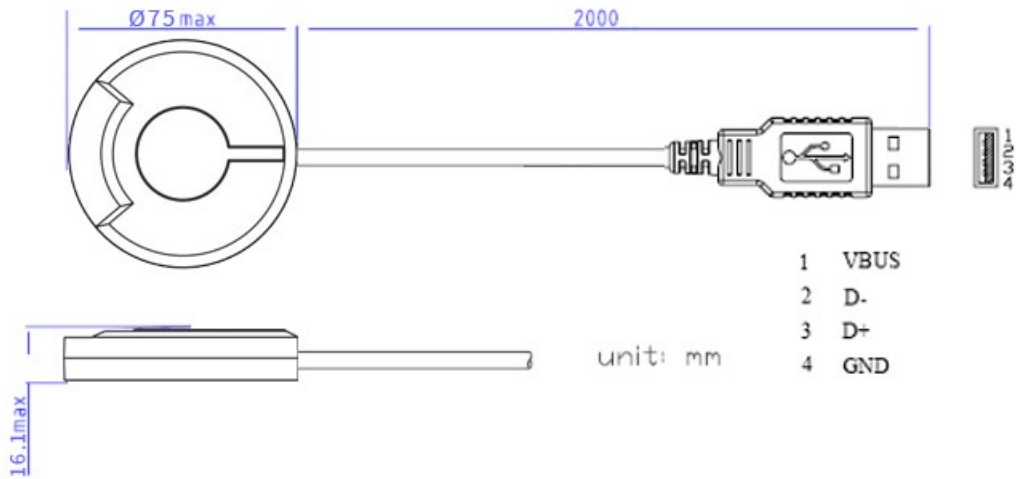
Note 1: Measured when position fix (1Hz) is available.

8.2 Temperature characteristics

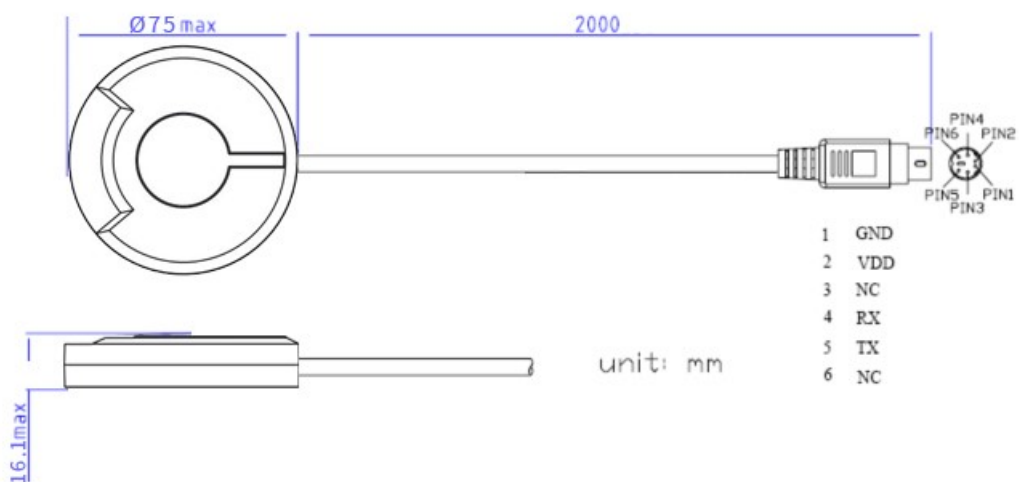
Parameter	Symbol	Min.	Typ.	Max.	Units
Operating Temperature	Topr	-20	-	60	°C
Storage Temperature	Tstg	-20	25	60	°C

9 Mechanical specification

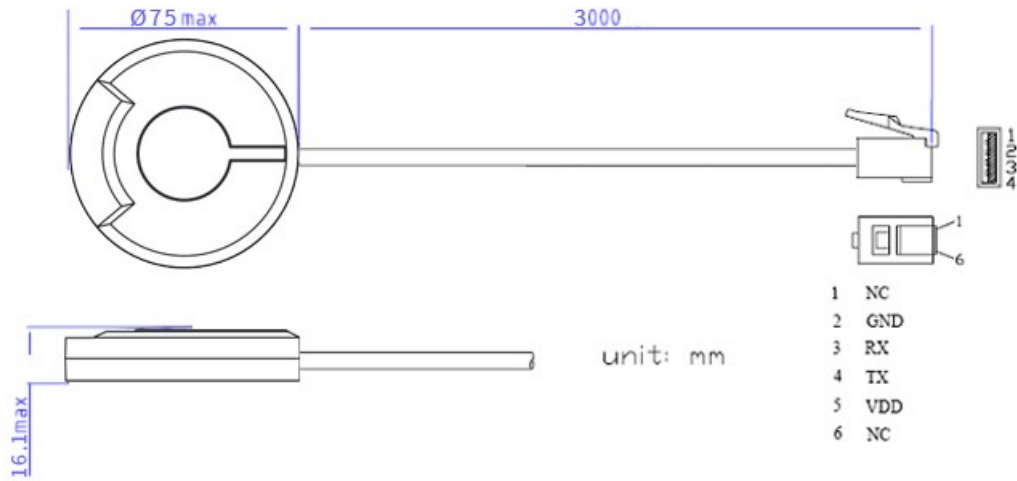
- LC23030-Vx (USB interface)



- LC23032-Vx (RS232 interface)



- **LC23036-Vx (RS232 interface)**



10 Ordering information

Product name	Description	Remark
LC23030-V2	Dual-frequency multi-constellation GNSS mouse / 2m, USB	GPS/QZSS: L1 C/A, L5C GLONASS: L1OF BEIDOU: B1I, B2a GALILEO: E1, E5a
LC23032-V2	Dual-frequency multi-constellation GNSS mouse / 2m, PS2	
LC23036-V2	Dual-frequency multi-constellation GNSS mouse / 3m, RJ11	
LC23030-V3	Dual-frequency multi-constellation GNSS mouse / 2m, USB	GPS/QZSS: L1 C/A GLONASS: L1OF BEIDOU: B1I GALILEO: E1 IRNSS: L5
LC23032-V3	Dual-frequency multi-constellation GNSS mouse / 2m, PS2	
LC23036-V3	Dual-frequency multi-constellation GNSS mouse / 3m, RJ11	

Document change list

Revision 0.1

- Draft release on May 23, 2022.